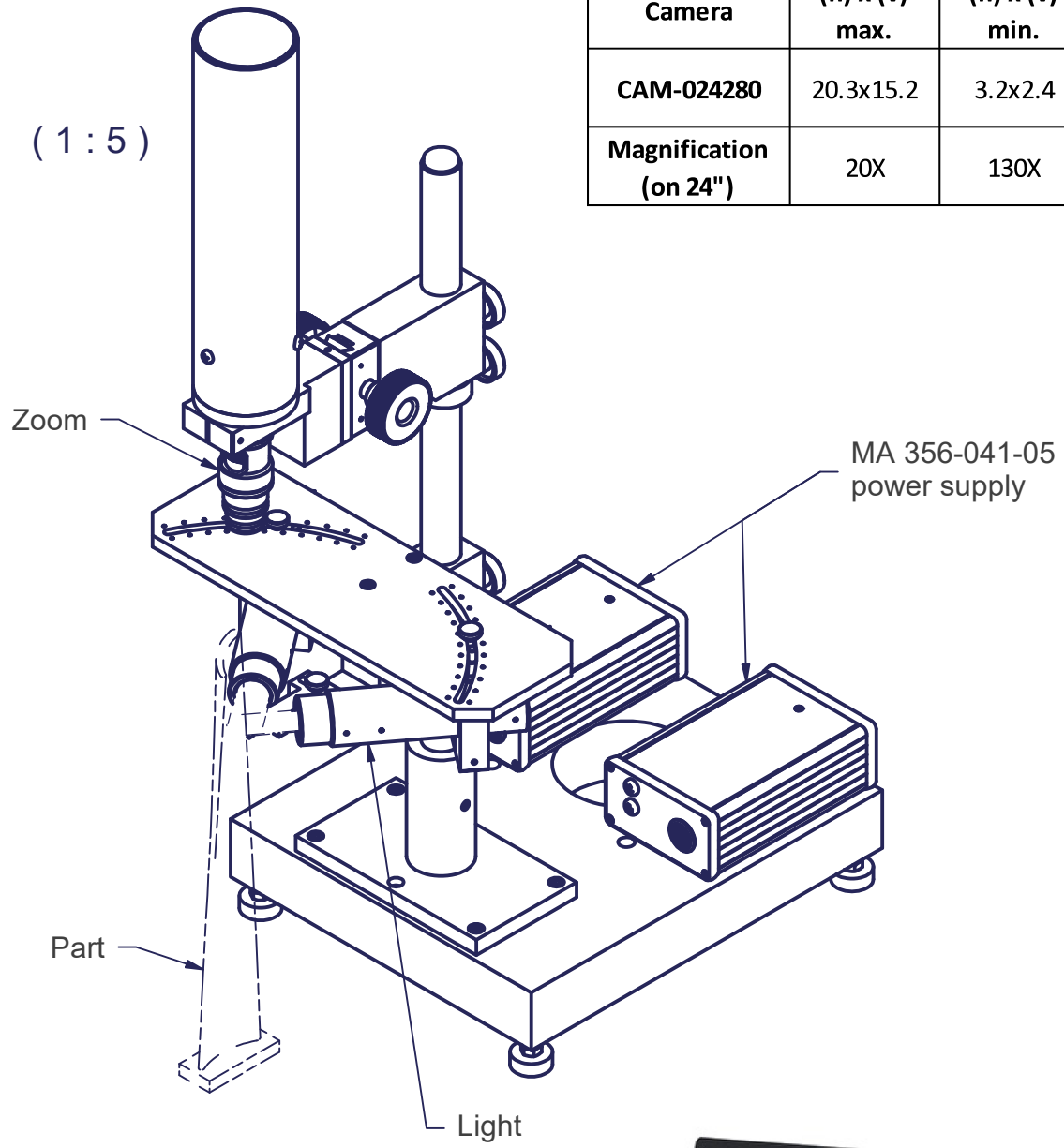
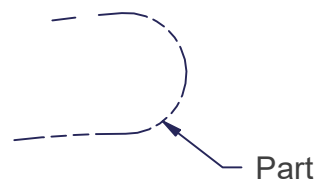


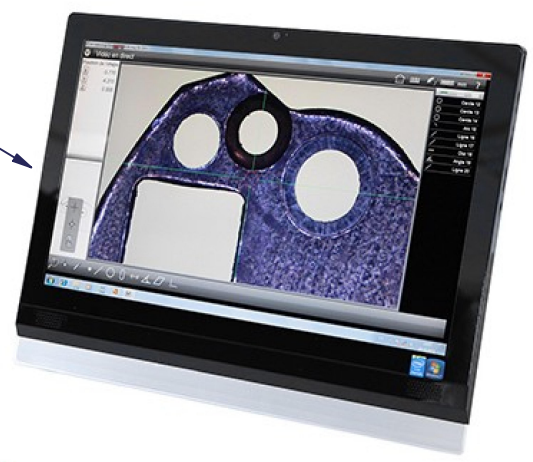
Camera	(h) x (v) max.	(h) x (v) min.
CAM-024280	20.3x15.2	3.2x2.4
Magnification (on 24")	20X	130X



Showing on screen

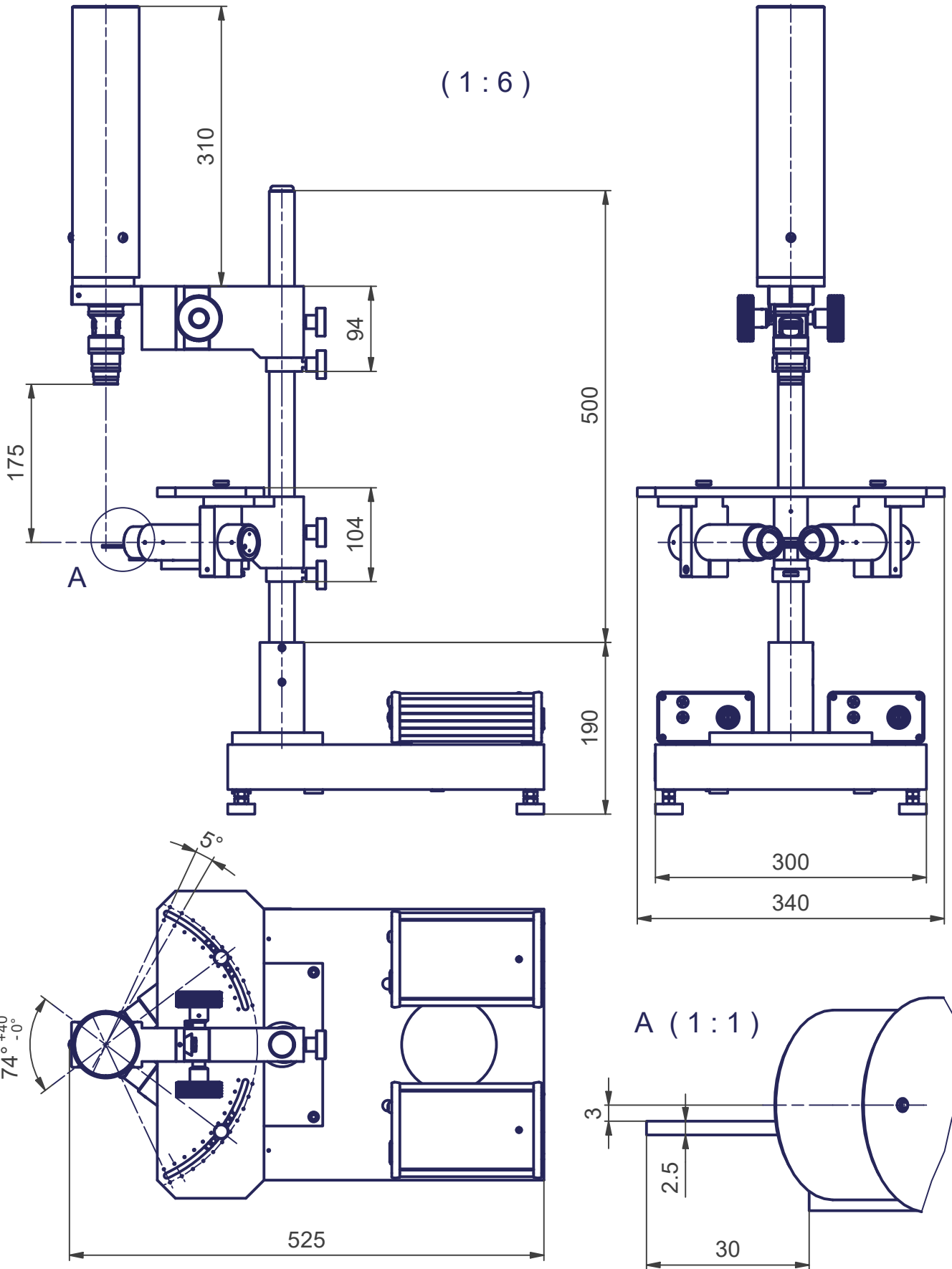


Option :
All-In-One 24"
MCA-018213



S:\Bureau-Technique\Dispositif\MA 152-153-03\$20.idw

Marcel Aubert SA reserves the right to make changes without prior notice or obligation.	Unit [mm]	Name M.Saam	Date 09.05.2017
Description Profile Checker	Type MA 152-153-03		Category \$20-3
marcel - aubert - sa		Item code DCV-...	Page no. 1 / 3



S:\Bureau-Technique\Dispositif\MA 152-153-03\$20.idw

Marcel Aubert SA reserves the right to make changes without prior notice or obligation.

Unit

[mm]

Name

M.Saam

Date

09.05.2017

Description

Profile Checker

Type

MA 152-153-03

Category

\$20-3

marcel - aubert - sa



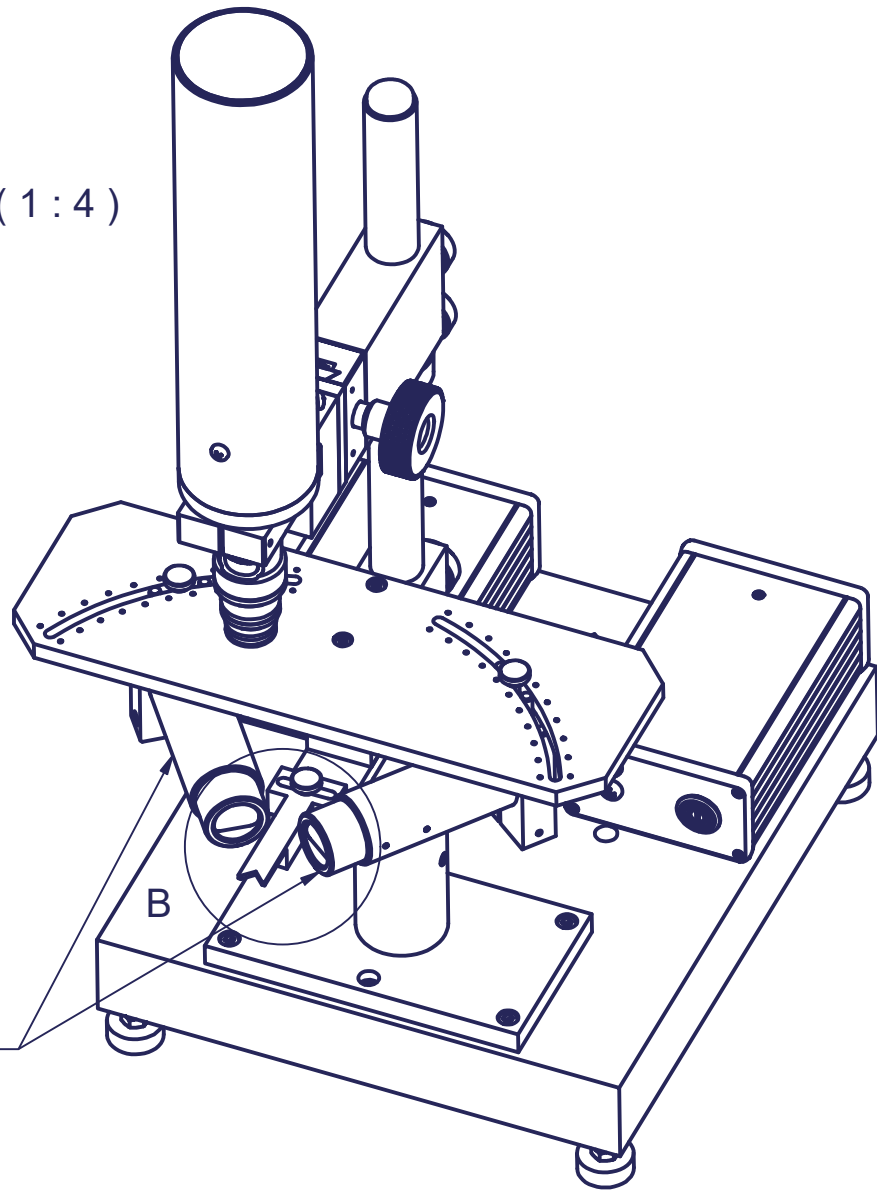
Item code

DCV-...

Page no.

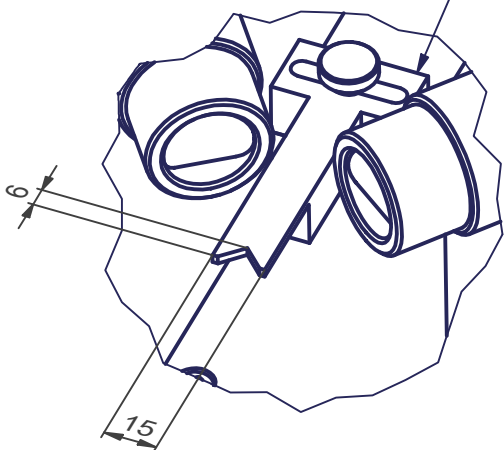
2 / 3

(1 : 4)



MA 114-036-02

SUP-348-03



B (1 : 2)

S:\Bureau-Technique\Dispositif\MA 152-153-03\$20.idw

Marcel Aubert SA reserves the right to make changes without prior notice or obligation.

Unit
[mm]

Name
M.Saam

Date
09.05.2017

Description
Profile Checker

Type
MA 152-153-03

Category
\$20-3

marcel - aubert - sa



Item code
DCV-...

Page no.
3 / 3